

305428 D Angular contact ball bearings, double row

- Popular item

Angular contact ball bearings, double row

Bearing data

[Tolerances](#),

Normal, P6, P5,

[Internal clearance](#),

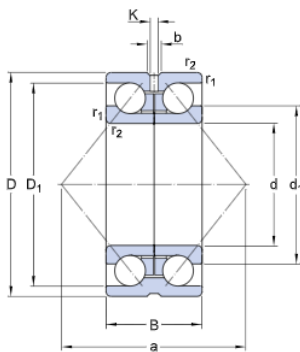
table, drawing no

Bearing interfaces

[Seat tolerances for standard conditions](#),

[Tolerances and resultant fit](#)

Technical specification

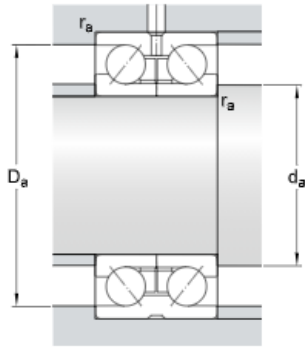


DIMENSIONS

d	200 mm	Bore diameter
D	279.5 mm	Outside diameter
B	76 mm	Width
d ₁	≈ 230 mm	Shoulder diameter inner ring for two-piece inner ring
D ₁	≈ 261.9 mm	Shoulder diameter outer ring
b	13.9 mm	Width annular lubrication groove at outer ring
K	7.5 mm	Diameter lubrication hole (outer ring)
r _{1,2}	min. 2.1 mm	Chamfer dimension inner ring for two-piece inner ring
a	174 mm	Distance pressure point(s)

ABUTMENT DIMENSIONS

d _a	min. 205 mm	Abutment diameter shaft
D _i	max. 260 mm	Abutment diameter housing
r _a	max. 2.1 mm	Fillet radius



CALCULATION DATA

C	242 kN	Basic dynamic load rating
C ₀	380 kN	Basic static load rating
P _u	10.4 kN	Fatigue load limit
	1 900 r/min	Reference speed
	2 400 r/min	Limiting speed
k _r	0.095	Calculation factor
e	1.14	Calculation factor
X	0.57	Calculation factor
Y ₀	0.52	Calculation factor
Y ₁	0.55	Calculation factor
Y ₂	0.93	Calculation factor

MASS

	13.7 kg	Mass bearing
--	---------	--------------